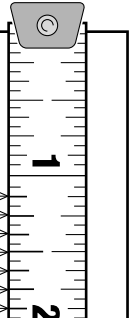


Measuring Guide for Board-Mounted Top Treatments

Tools and Tips

- Steel tape measure — do not use cloth tape
- Pencil
- Round measurements to the nearest 1/8"

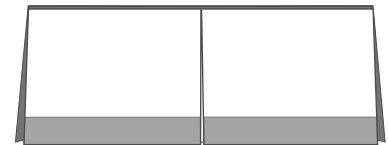


Choose a Mount Type: Inside Mount or Outside Mount

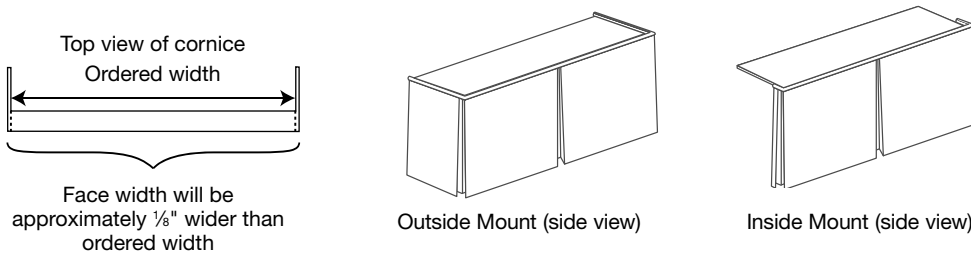
Board-mounted Top Treatments

- 1 Measure depth of window casing to determine if it will accommodate an inside mount. An inside mount cornice has a depth of 3" (mounting board/dust cover).
- 2 Determine inside or outside mount

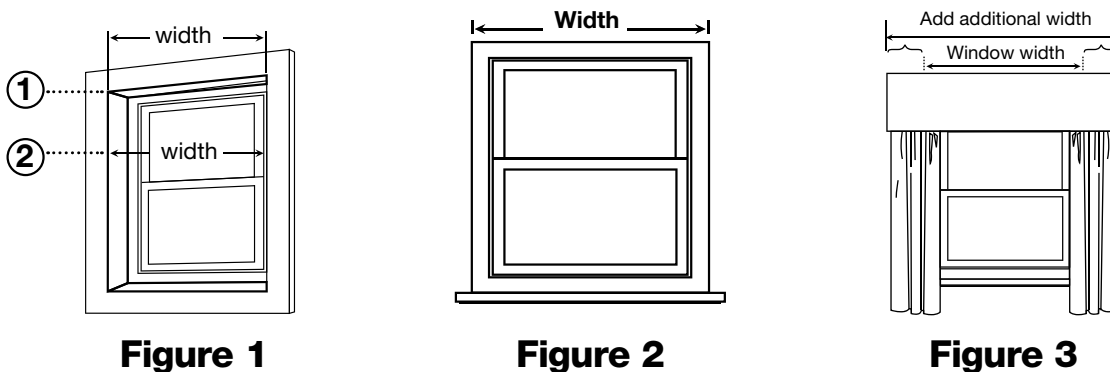
Note: Outside mount face width will be approximately 1/8" wider than the ordered width*



Kick Pleat



Note: Inside back width of style Soft Fold with Ties will be approximately 1" narrower than ordered width.



Inside Mount

- 1 Measure the exact width of the window opening at the very top of the casing (figure 1).
- 2 Measure the exact width of the window opening down from the top, depending on the desired drop of top treatments being ordered.

Note: Measure twice and document the smaller dimension, as not all window openings are perfectly square.

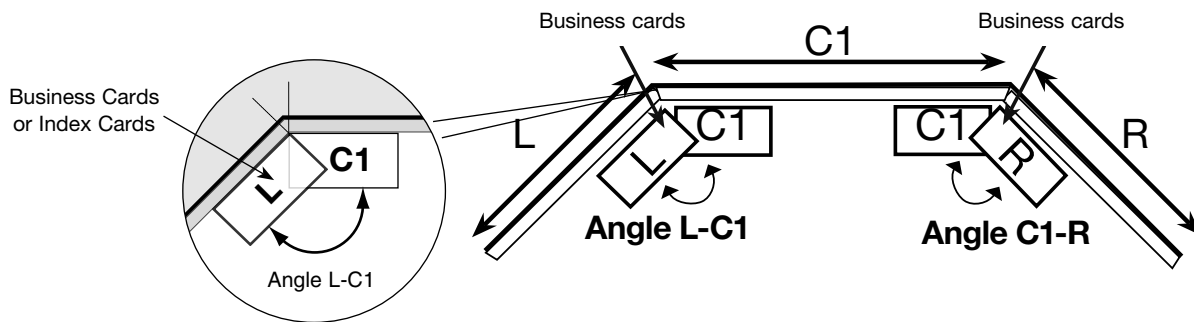
Outside Mount

- 1 Measure window width including molding (see figure 2).
- 2 Add any additional width desired, especially if hanging curtain panels or sheers under cornice (figure 3).

How to Measure for Bay and Corners for Top Treatments

Measure bay angle using protractor or angle finder, or use two business cards in bay corner as illustrated.

Shown without projection*



Measure:

L and R: Width of each side window from the corners on the mounting surface to the point you would like to cover.
C1: Width of the center window on the mounting surface from corner to corner.

Angle L-C1: Angle between the (L) and (C1) windows.
Angle C1-R: Angle between the (C1) and (R) windows.

*Projection = return size ordered